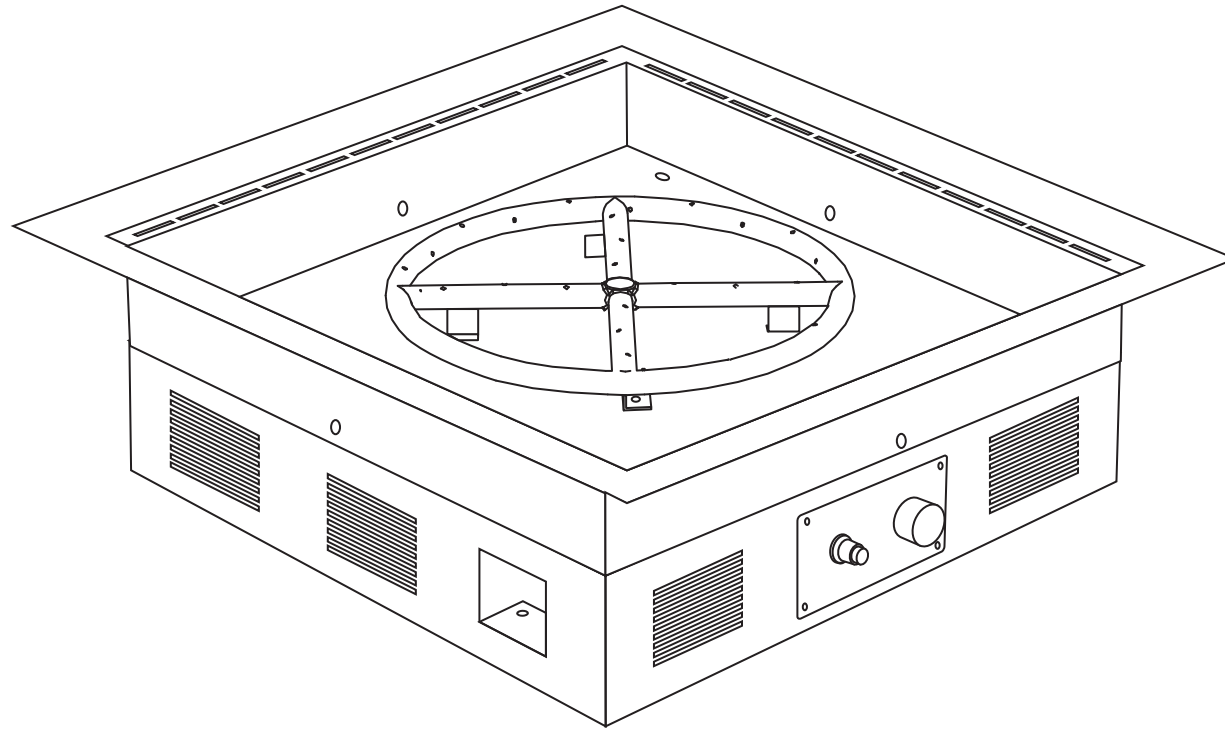
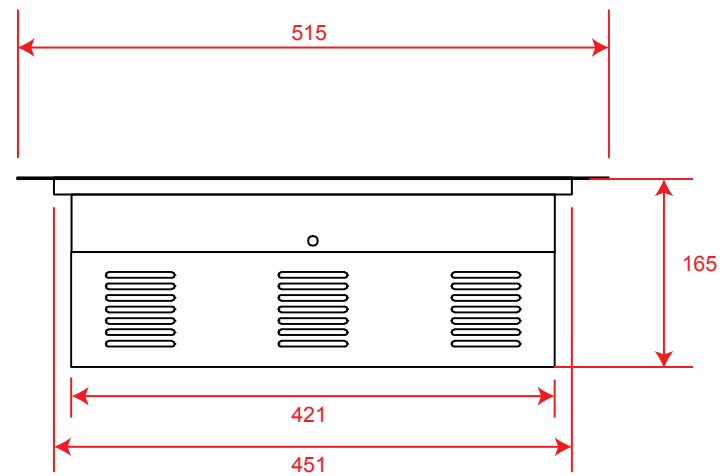
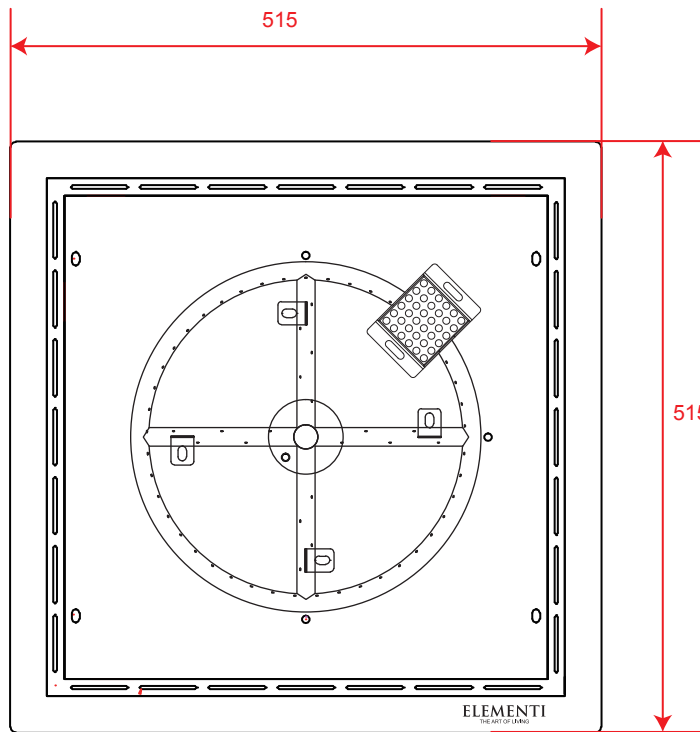


Built-in Burner Kit

BBK01

1 3B/P(30)
1 3B/P(50)
1 3+(28-30/37)
1 2H





Built-in Burner Kit

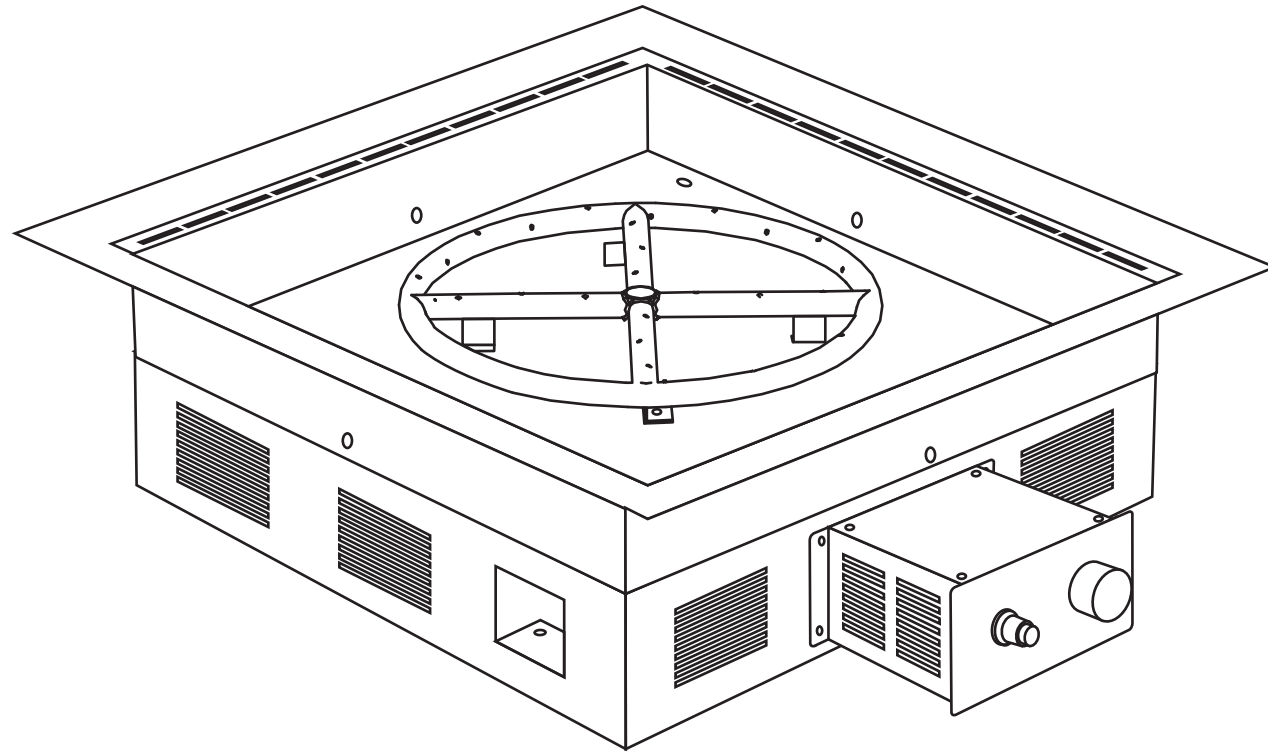
BBK02

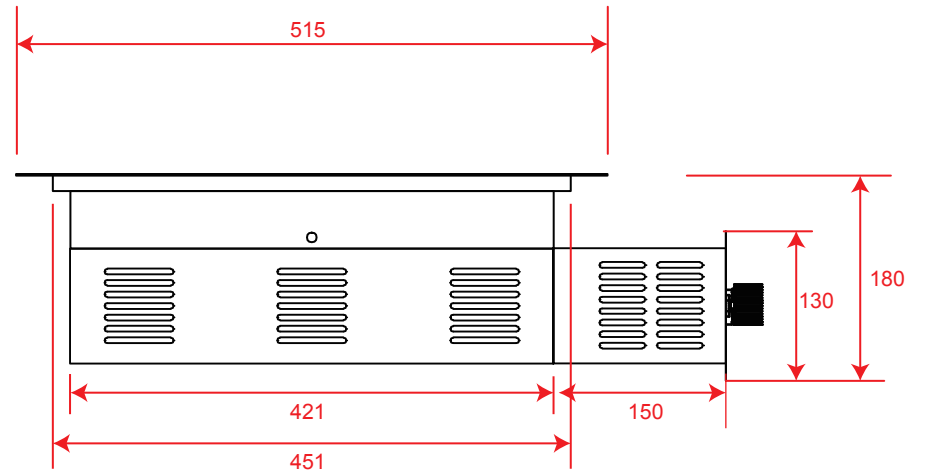
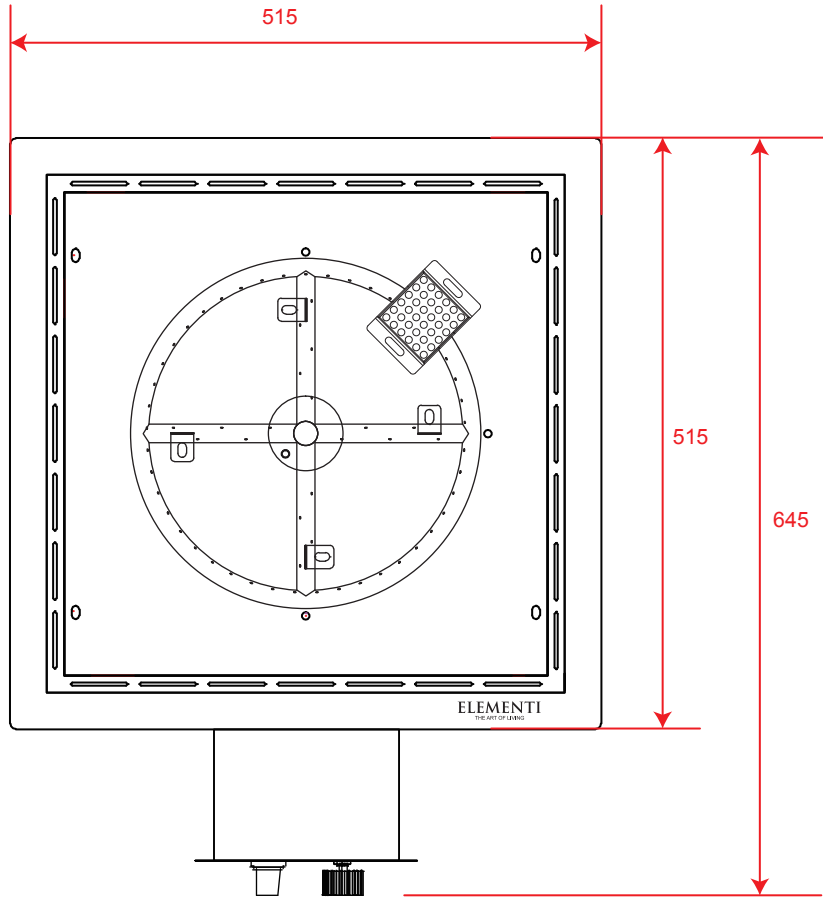
| 3B/P(30)

| 3B/P(50)

| 3+(28-30/37)

| 2H





Built-in Burner Kit

BBK03

| 3B/P(30)

| 3B/P(50)

| 3+(28-30/37)

| 2H

